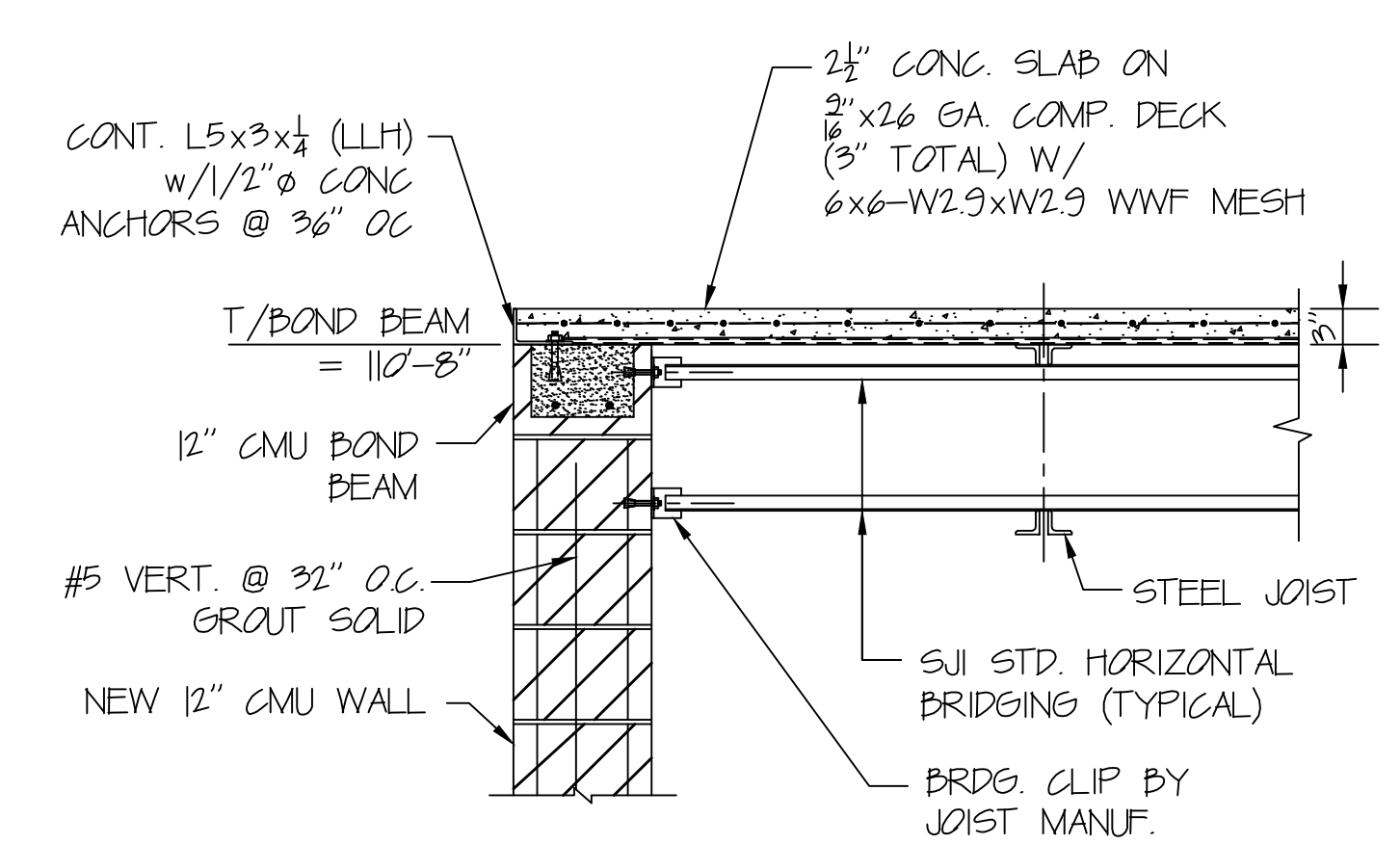
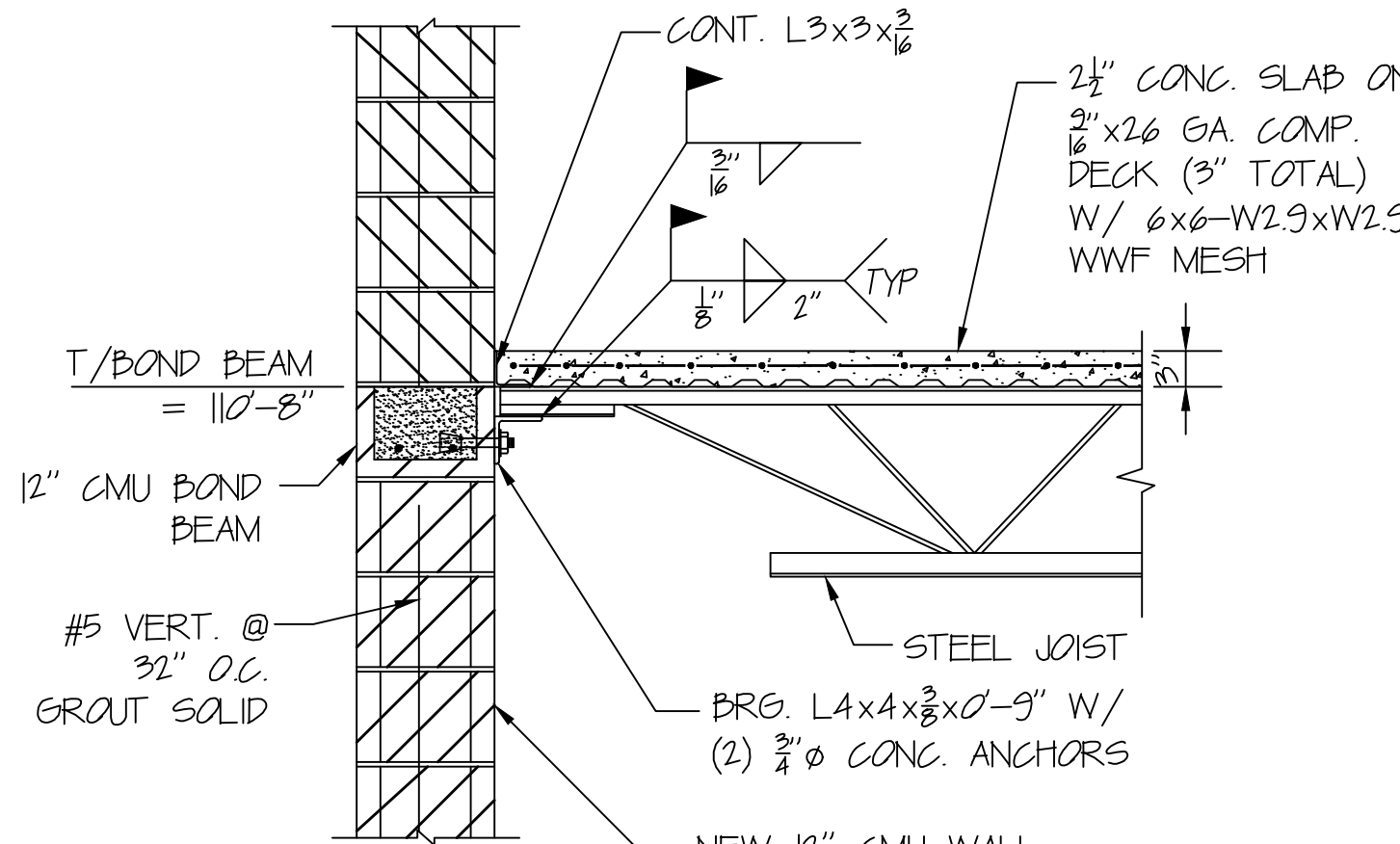


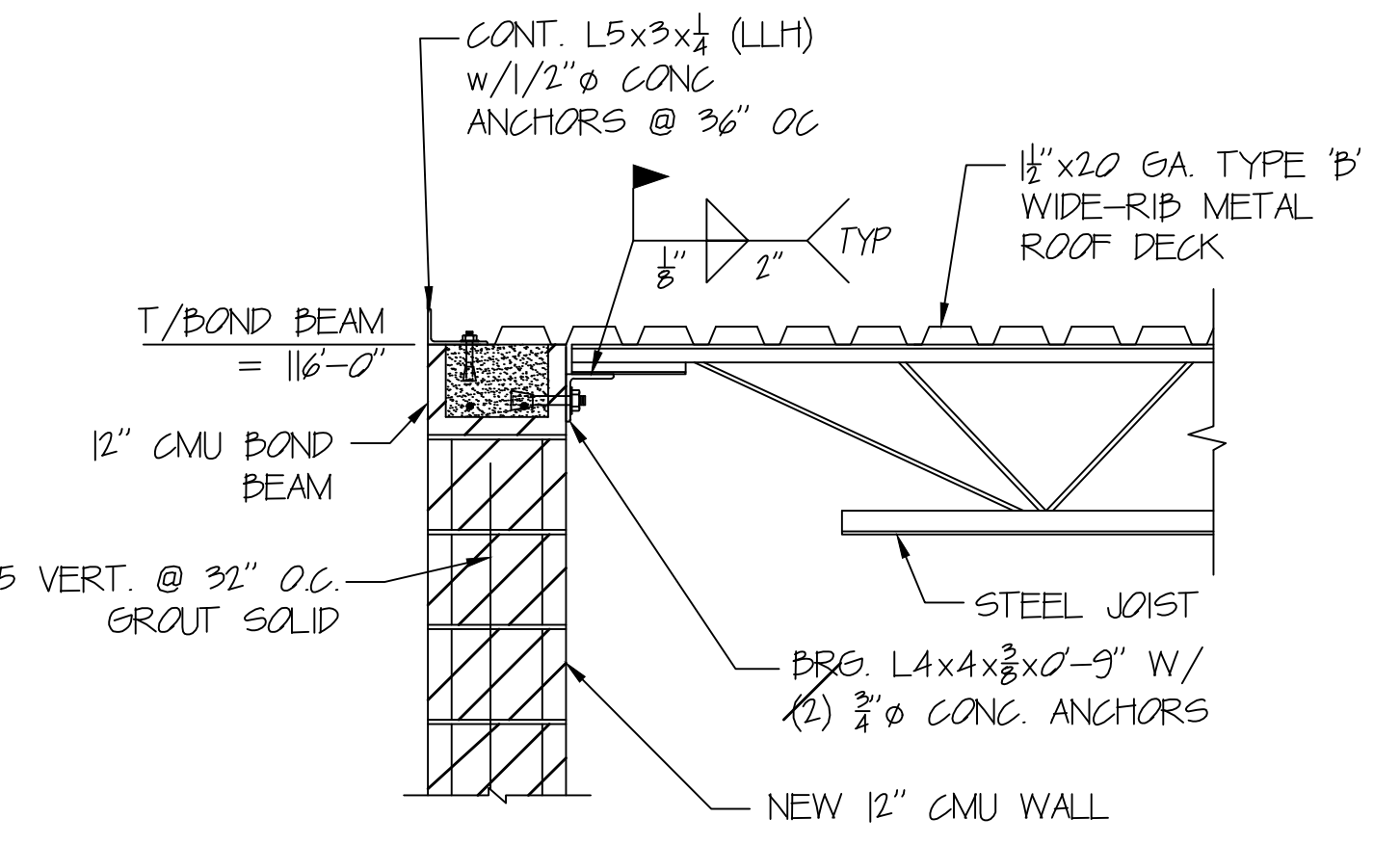
SECTION 1  
SCALE: 3/4"=1'-0"



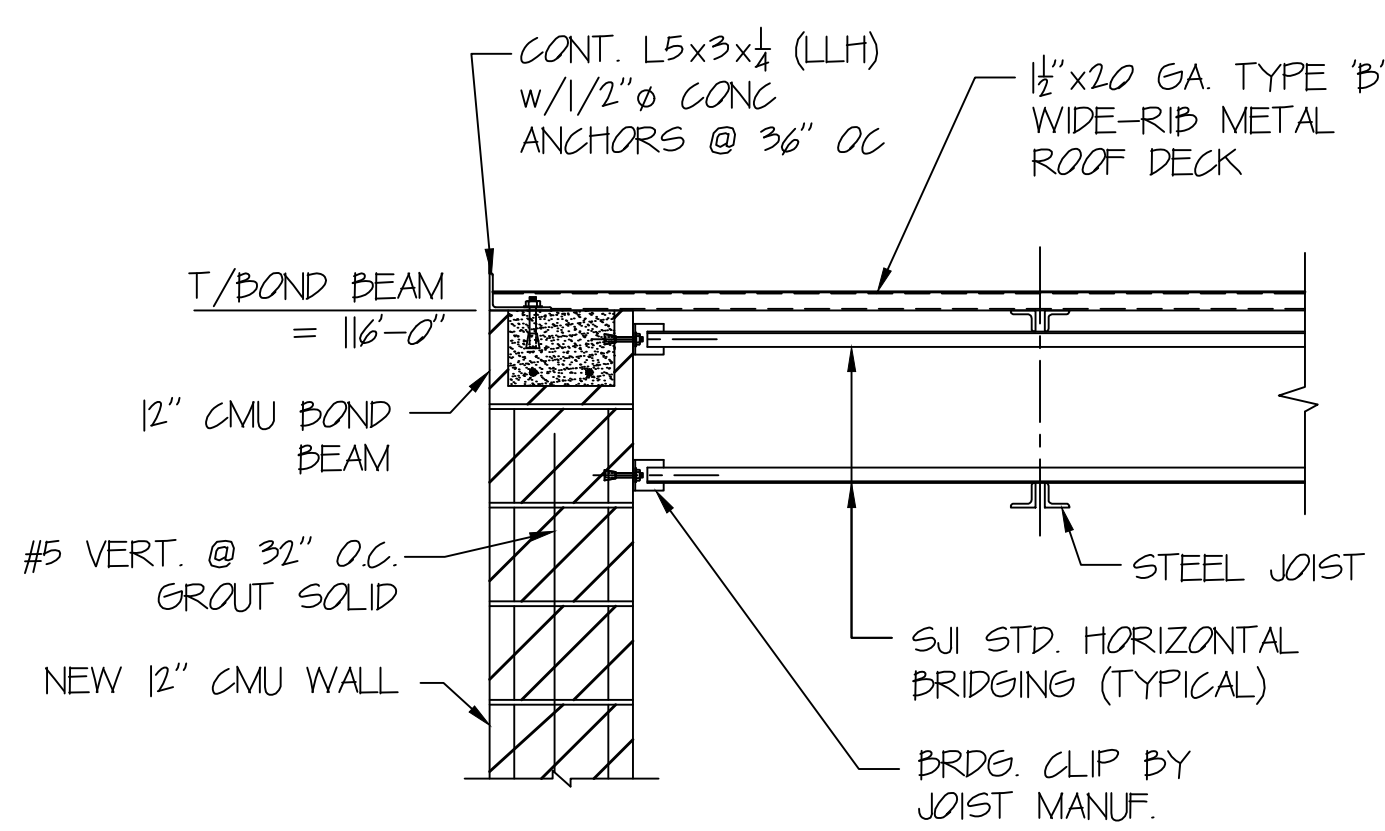
SECTION 2  
SCALE: 3/4"=1'-0"



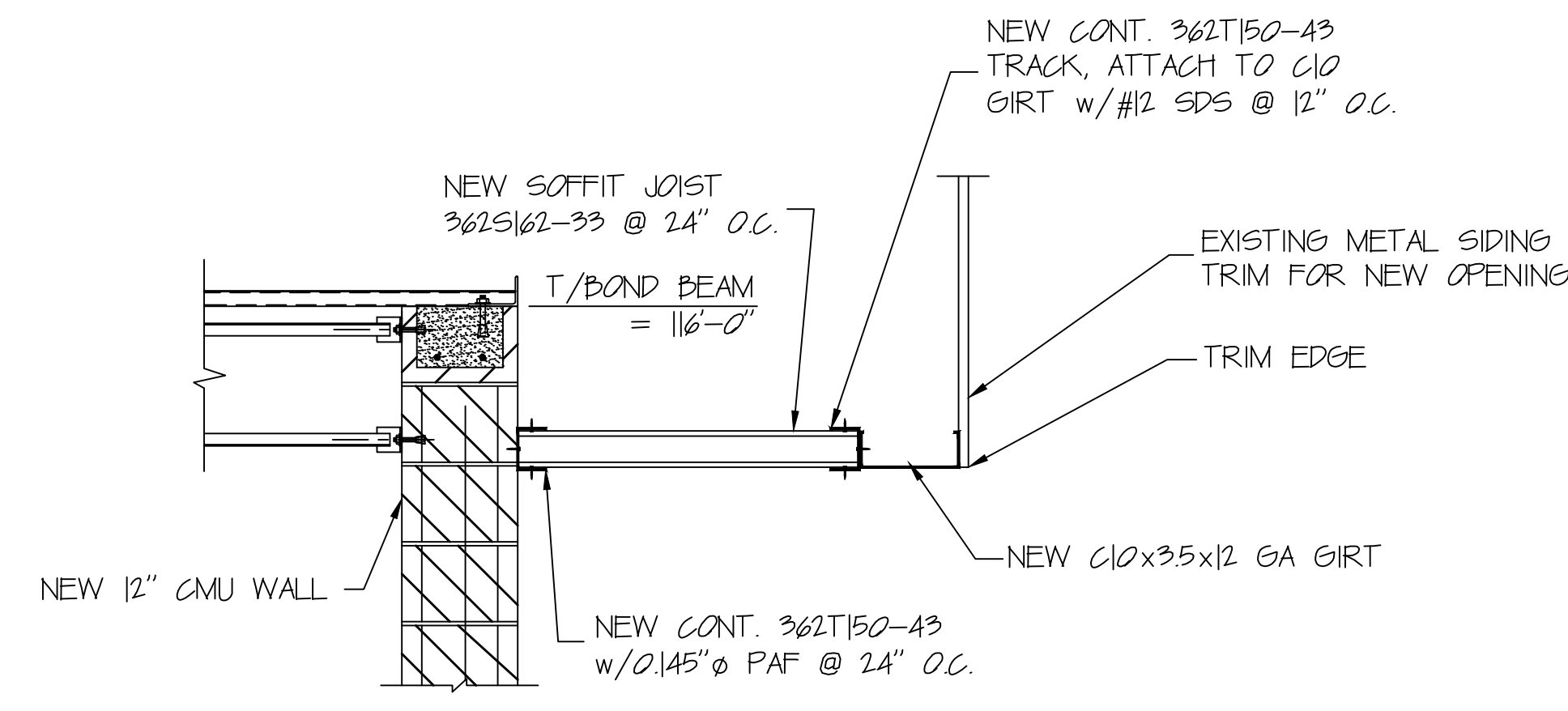
SECTION 3  
SCALE: 3/4"=1'-0"



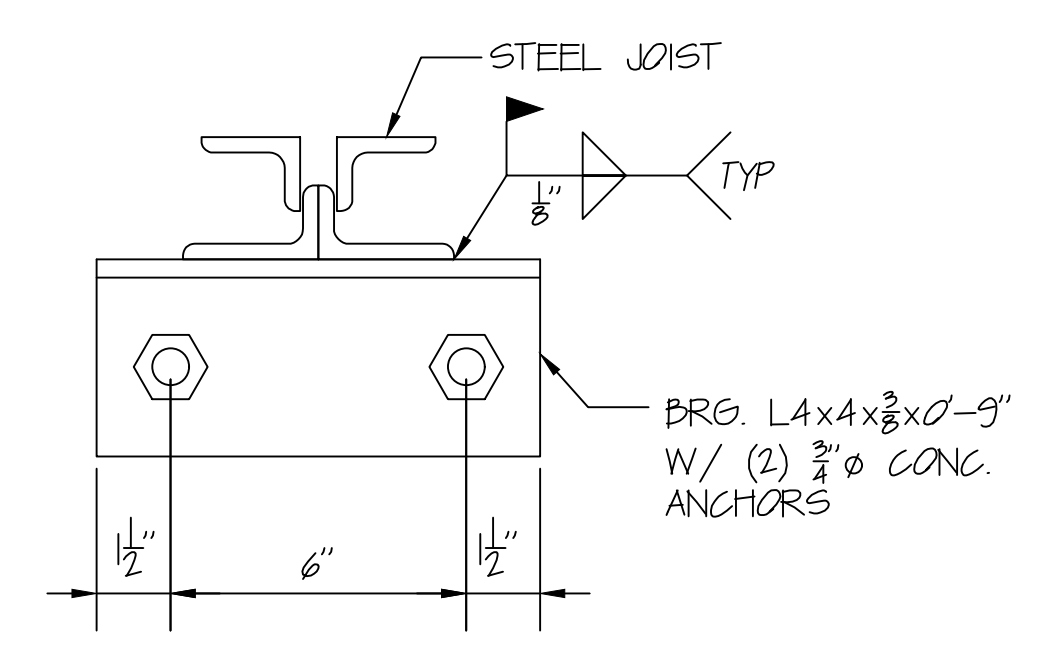
SECTION 4  
SCALE: 3/4"=1'-0"



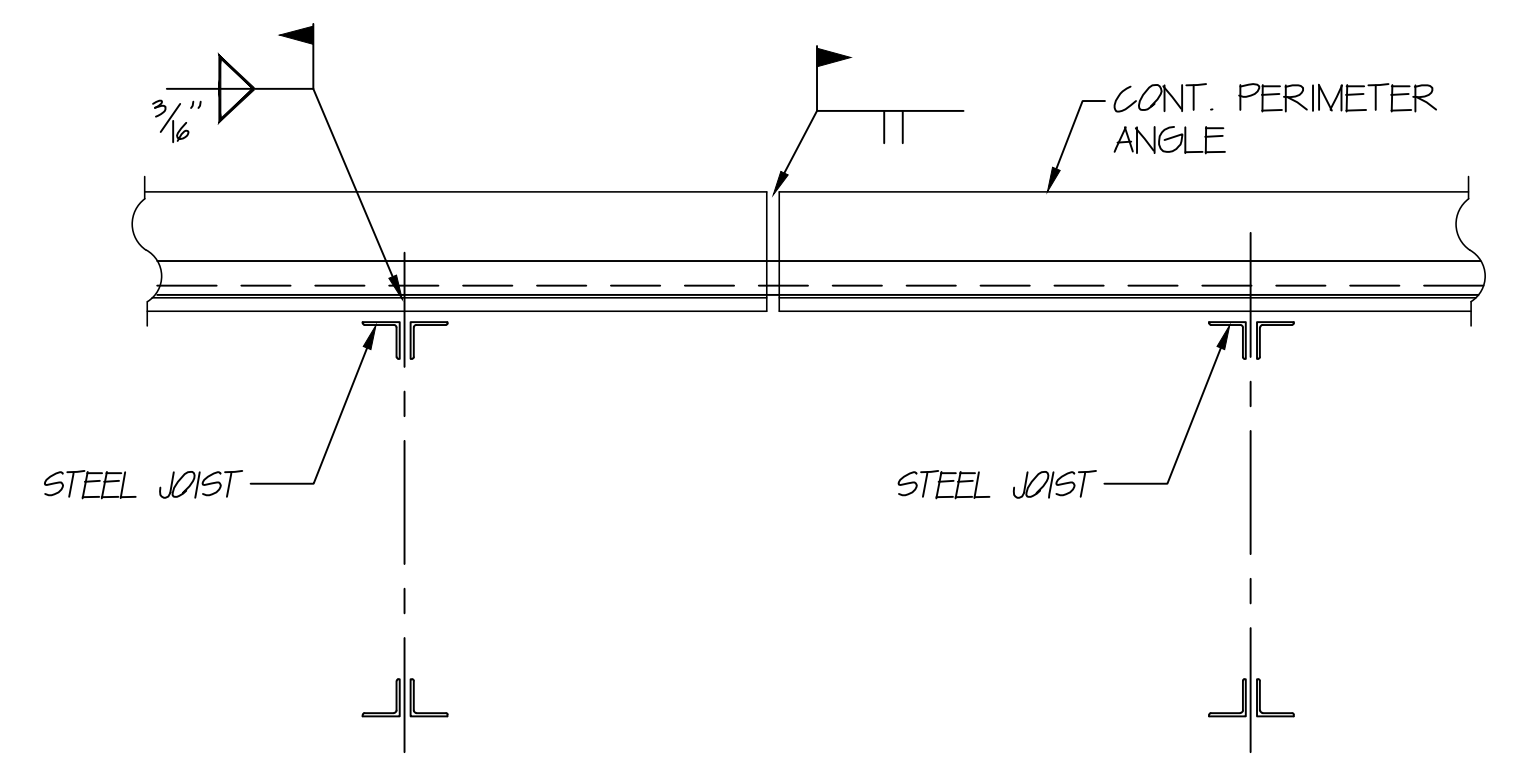
SECTION 5  
SCALE: 3/4"=1'-0"



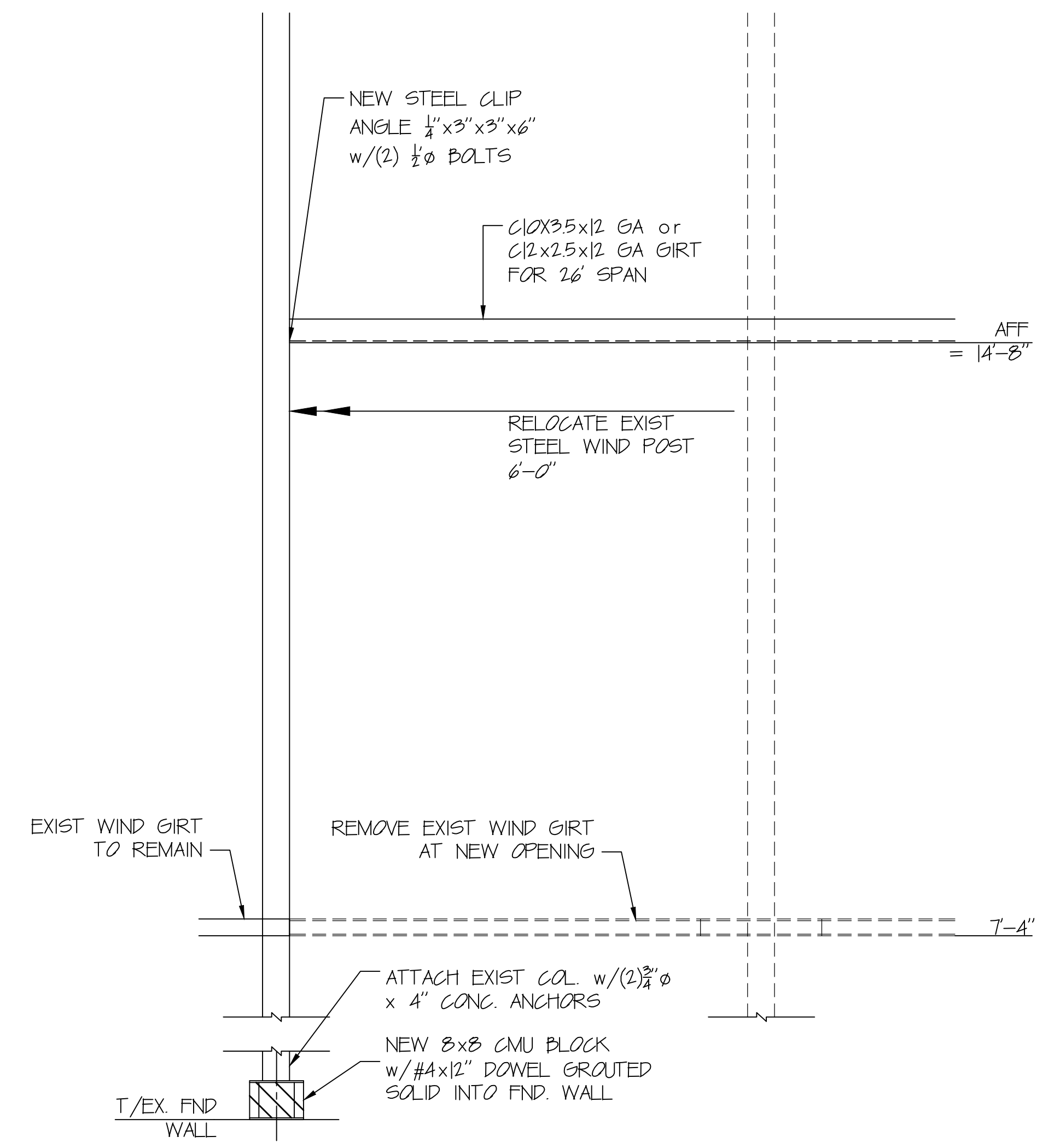
ELEVATION 6  
SCALE: 3/4"=1'-0"



SECTION 6  
SCALE: 3"=1'-0"

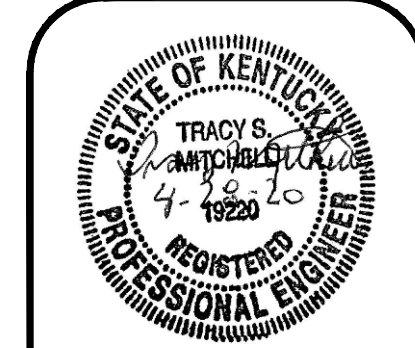


TYP. PERIMETER ANGLE SPLICE DETAIL  
SCALE: 1 1/2"=1'-0"



WIND COLUMN RELOCATION

ELEVATION A  
SCALE: 3/4"=1'-0"



**ASG LLC**  
AMERICAN STRUCTURAL GROUP  
CONSULTING STRUCTURAL ENGINEERS  
225 SOUTH MAIN STREET  
MORFHEE, OHIO 45050  
WWW.ASG-ENG.COM  
"Value Engineering the First Time"

REV	DESCRIPTION	DATE
0	PERMIT	04-28-20
1		
2		
3		
4		
5		
6		

CLIENT: MSE OF KENTUCKY, INC.  
624 Wellington Way  
Lexington, KY 40503  
PH: (859)223-5694

PROJECT: FOWAN COUNTY AMBULANCE GARAGE  
Morehead, Kentucky

CUSTOMER JOB NO.: 5070-02  
CUSTOMER: MSE  
DRAWN BY: GSM  
DATE: 04.06.20  
CKD. BY: TSM  
DATE: DATE  
ASG JOB NO.: 20193  
DRAWING FILENAME: 193S2  
DRAWING NO: 193S2

S2